

AIRMAN®

Zero-Tail Swing Mini-Excavator

Our new AIRMAN series operator-friendly Zero-tail swing mini-excavator, AX17u-4 offers improved serviceability and safety, in addition to basic operations including digging, loading, and leveling.

AX17u-4
1930kg **0.04m³**
(with long arm)
1850kg **0.044m³**
Operating weight Bucket Capacity



AX17u-4
Supports 3-pillar canopy
ROPS/OPG (TOP guard)

◆ Workability

- Zero-tail swing design enables the operator to work without worrying about the rear, thereby improving the efficiency of work.
- When passing through a narrow pathway or gate on the way to the job site, the machine width can be contracted (980mm).
The machine width can be extended (1280mm) during operation to ensure stability. The crawler can be extended or contracted according to the situation.

◆ Safety

- Use the lock lever to lock the levers for all operations, thereby preventing improper operation.
- The machine utilizes a mechanism for starting the engine in neutral with the lock lever in the locked position.

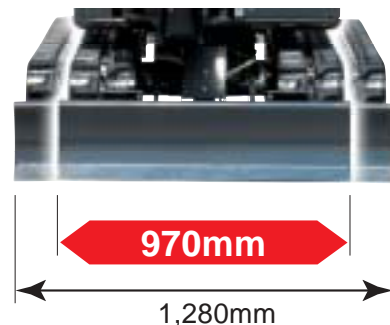
◆ Serviceability

- Front hoses are stored in the arm to protect them from damage. Articulated hose is used to make it easy to replace if it is damaged.
- A fully openable engine cover has been utilized.

◆ Operability

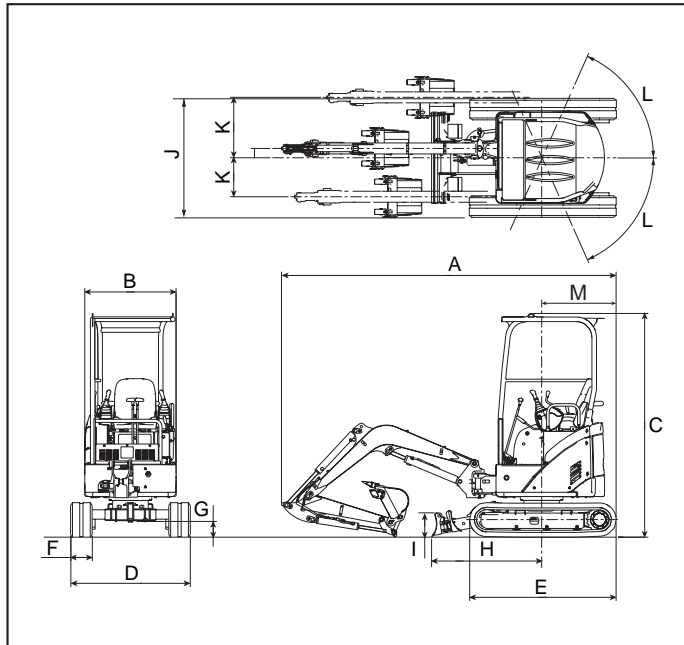
- Use of the hydraulic pilot makes for smooth and light operation.

Adjustable undercarriage width

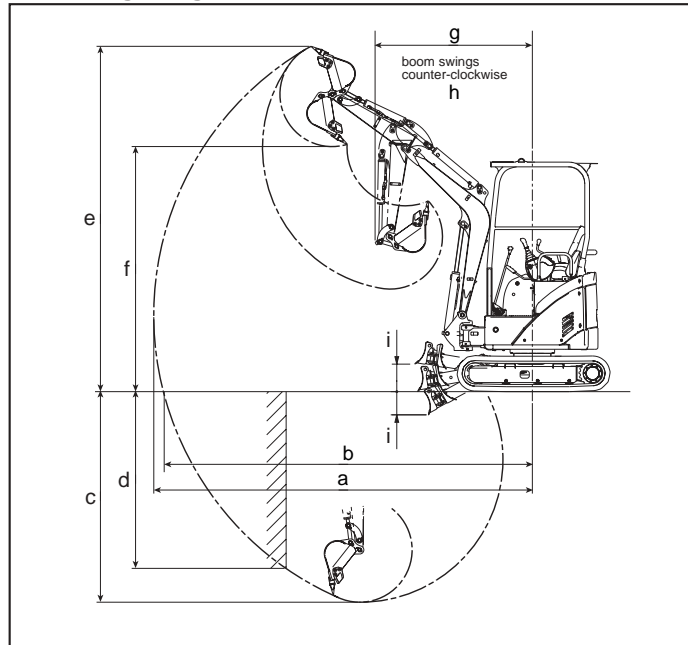


HOKUETSU INDUSTRIES CO., LTD.

■ Dimensions



■ Working Ranges



■ Specifications

[]:Long Arm

Item	Model	AX17U-4
●Summary Specification		
Type of roof		3-pillar canopy
Type of shoe		rubber
Operating weight with add.Counter weight	kg	1,850 [1,930]
Bucket capacity	m ³	0.044 [0.04]
Bucket width with sidecutter	mm	450 [400]
●Diesel Engine		
Model		Yanmar 3TNV70
Type		water cooled 4-cycle 3-cylinder swirl chamber type
Piston displacement	L	0.854
Rated output	kW/min ⁻¹	11.0/2,400 (15.0PS/2,400rpm)
●Hydraulic Devices		
Main pumps (Max. oil flow)	L/min	Variable displacement axial piston type (19.2) × 2
Third pump (Max. oil flow)	L/min	gear type (12.5) × 1
Pilot pump (Max. oil flow)	L/min	gear type (6.5) × 1
Main relief set pressure	MPa	20.6 (210kgf/cm ²)
Swing motor		High torque orbit motor
Travel motor		High-torque,2-speed axial piston motor through planetary reduction gear
●Max.Digging Force		
Bucket	kN	16.0 (1,630kgf)
Arm	kN	10.3 (1,050kgf) [9.1 (930kgf)]
●Speed(2 speed system)		
Travel speed (high/low)	km/h	4.3 / 2.4
Swing speed	min ⁻¹	8.9
Gradeability degree	°	30 (58%)
●Others		
Ground pressure	kPa	28 (0.29kgf/cm ²) [30 (0.30kgf/cm ²)]
Fuel tank	L	19.5
Hydraulic tank (Hydraulic system)	L	15.7 (30)
Engine oil	L	3.1

■ Dimensions & Working Ranges

Item	Model	AX17U-4
A : Overall transport length	mm	3,590 [3,640]
B : Overall width	mm	980
C : Overall height	mm	2,400
D : Undercarrage width (extend/retract)	mm	1,280 / 970
E : Undercarrage length	mm	1,570
F : Shoe width	mm	230
G : Ground clearance	mm	165
H : Horizontal distance of blade	mm	1,180
I : Blade height	mm	260
J : Blade width (extend/retract)	mm	1,280 / 980
K : Boom offset distance (Left/Right)	mm	L420 / R650
L : Swing angle to the Right/Left	°	R50 / L70
M : Rear-end swing radius	mm	675 [755]
a : Max. digging radius/reach	mm	3,900 [4,080]
b : Max. digging reach at ground level	mm	3,800 [3,980]
c : Max. digging depth	mm	2,170 [2,370]
d : Max. vertical wall depth	mm	1,830 [2,000]
e : Max. cutting height	mm	3,560 [3,660]
f : Max. dumping height	mm	2,530 [2,630]
g : Front min.swing radius	mm	1,610 [1,710]
h : Minimum swing radius at boom swing	mm	1,540 [1,630]
i : Lift capacity (highest/lowest from ground)	mm	285 / 240

●Thoroughly read the operation manual before using this machine to ensure correct and safe usage.

●Specifications and appearance are subject to change without notice.

●The photos used in this catalog were taken specifically for the catalog. When you leave the machine, be sure to follow the instructions in the operation manual.

AIRMAN is a registered product trademark of Hokuetsu Industries, Co., Ltd.

HOKUETSU INDUSTRIES CO., LTD.

8TH Floor Shinjuku San-Ei Bldg,
22-2 Nishi-Shinjuku 1-Chome, Shinjuku-ku, Tokyo 160-0023 Japan
TEL:81-3-3348-7281 FAX:81-3-3348-7289
E-mail:oversea@airman.co.jp
http://www.airman.co.jp

HOKUETSU INDUSTRIES EUROPE B.V.

Breguetlaan 12,1438 BC Oude Meer, The Netherlands
PHONE:31-20-6462636 FAX:31-20-6462191
e-mail:info@hokuetsu.nl

SAFETY

- Operate safely in accordance with proper operation manual.
- To prevent trouble and accidents, perform daily and preventive maintenance checks without fail.



ISO9001 : JQA-0581
ISO14001 : JQA-EM4670

No.2 AX17u-4EU 07-08①